



Assembly Instructions

Chair Stop Accessories for StageTek® Staging System

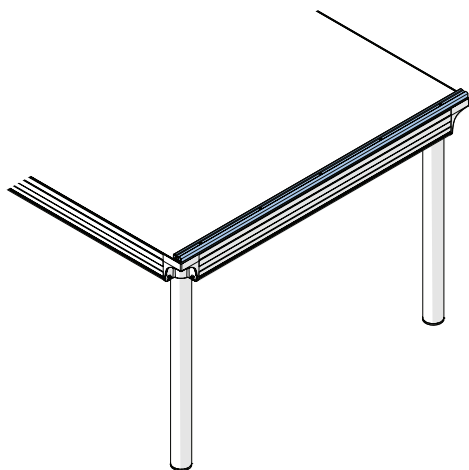
Basic Instructions only!
For more detailed product information, refer to the StageTek Staging System Owner's Manual 280A099.

⚠ CAUTION

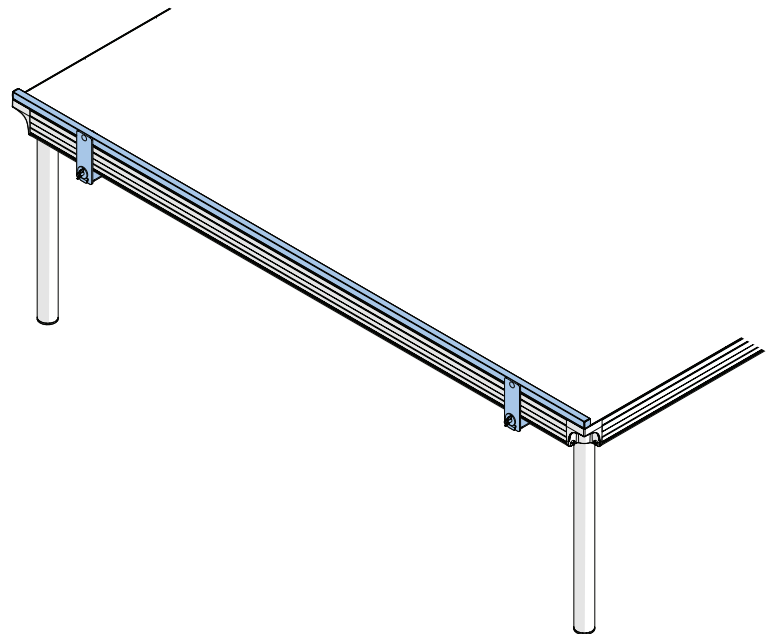
Make sure anyone assembling or installing StageTek components has read and understands the instructions.

⚠ CAUTION

Always comply with Warnings or Cautions in the instructions or posted on the equipment.



Permanent Chair Stop



Removable Chair Stop



Visit the StageTek Staging System web page at wengercorp.com for more information.

Note: Please read and understand these instructions before assembling or setting up.

Note: If you need additional information, contact Wenger Corporation using the information below.

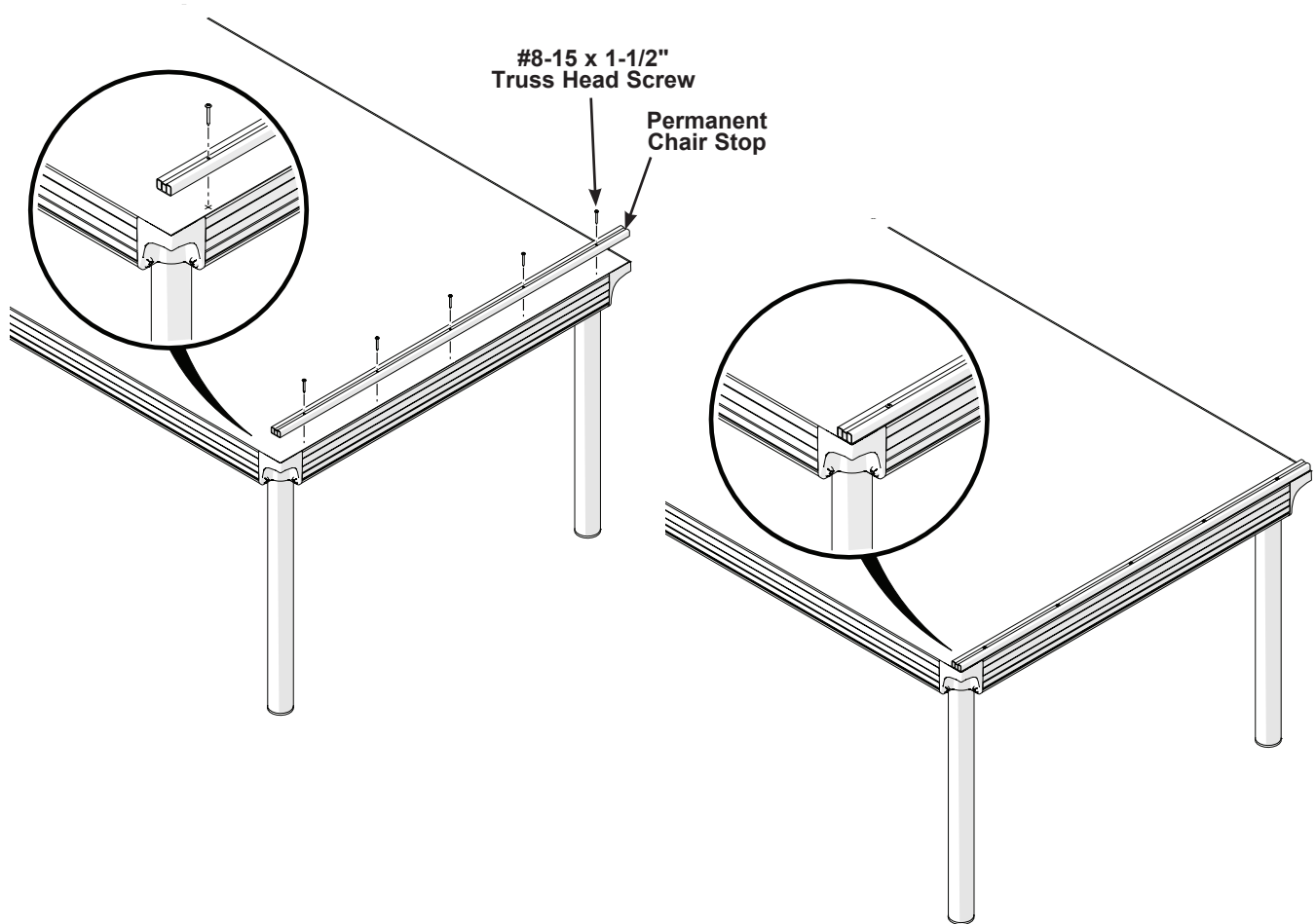
Attaching a Permanent Chair Stop

NOTICE

Permanent chair stops reduce the quantity of decks that will fit on the universal transport cart to five per cart.

To attach a permanent chair stop to the stage deck:

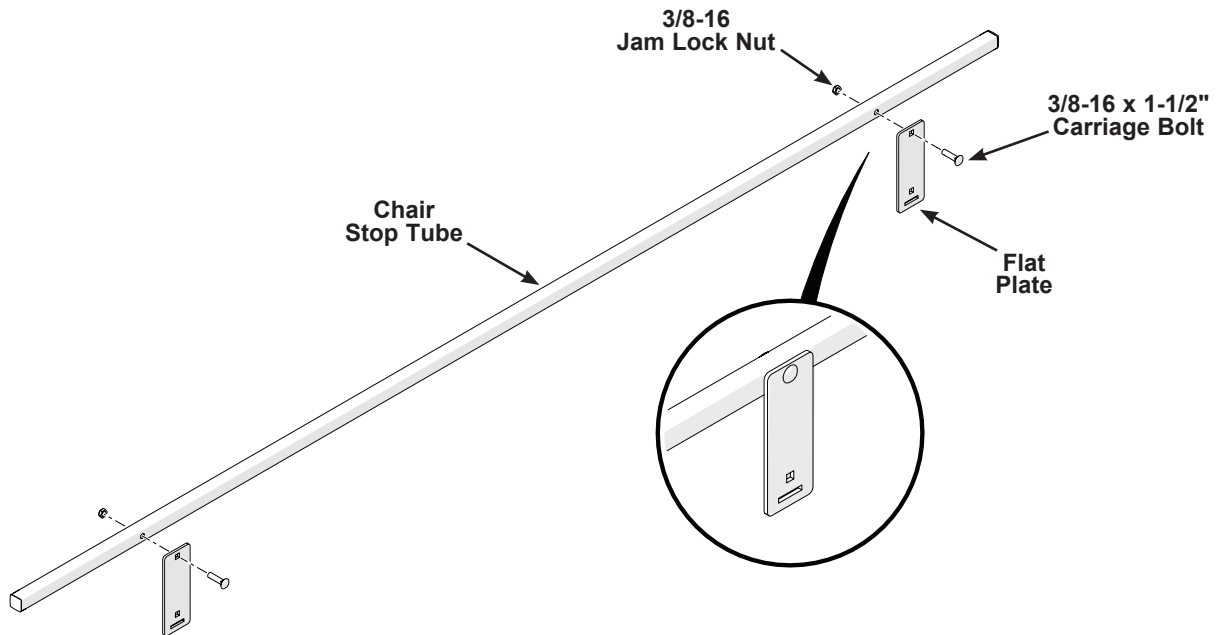
1. Align the chair stop to fit against the edge of the stage deck.
2. Attach the chair stop to the stage deck using #8-15 x 1-1/2" truss head screws through each of the pilot holes in the chair stop and into the deck surface.



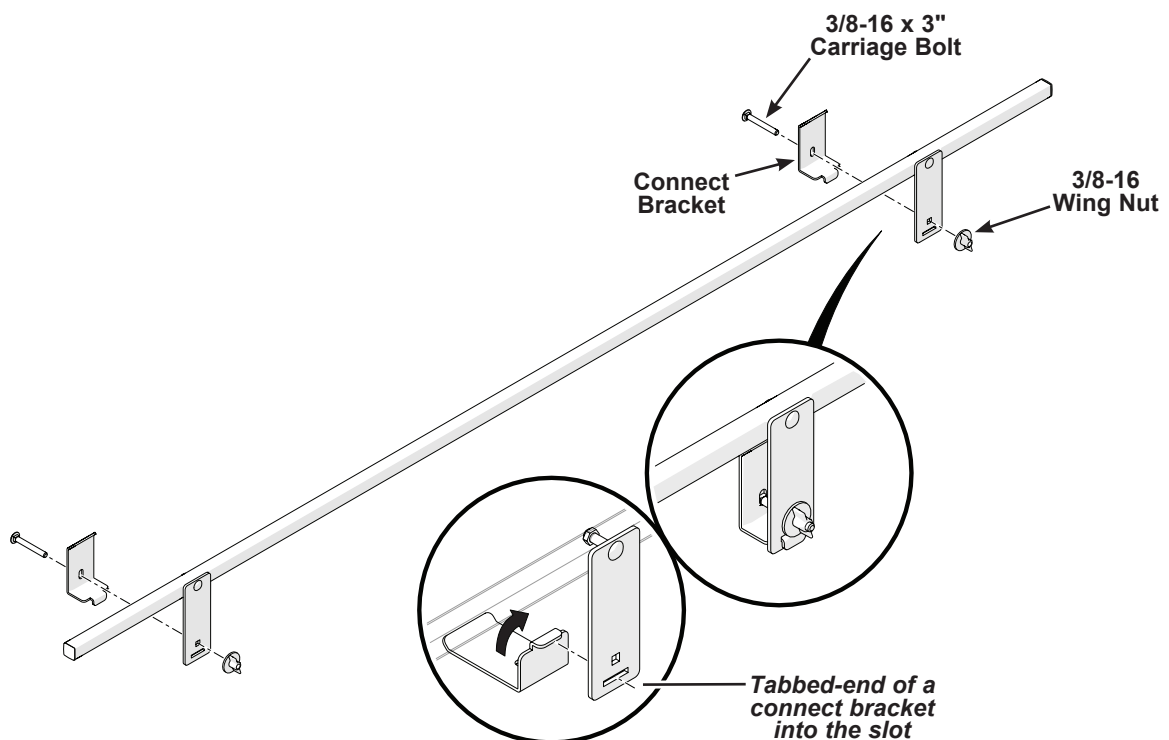
Assembling a Removable Chair Stop

To assemble the removable chair stop:

1. Attach a flat plate to both ends of the chair stop tube using a 3/8-16 x 1-1/2" carriage bolt and 3/8-16 jam lock nut in each as shown.



2. Hook the tabbed-end of a connect bracket into the slot in each of the flat plates as shown. Tip the bracket upward when fastening.
3. Secure both connect brackets in place using a 3/8-16 x 3" carriage bolt and 3/8-16 wing nut in each as shown.



Attaching a Removable Chair Stop

To attach a removable chair stop to the stage deck:

1. Fit the connect brackets under the lip of the stage deck.
It may be necessary to loosen the wing nuts.
2. Position the chair stop tube to fit against the edge of the stage deck.
3. Tighten the wing nut to fit the connect brackets snug to the underside of the stage deck lip.

